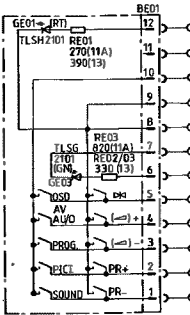
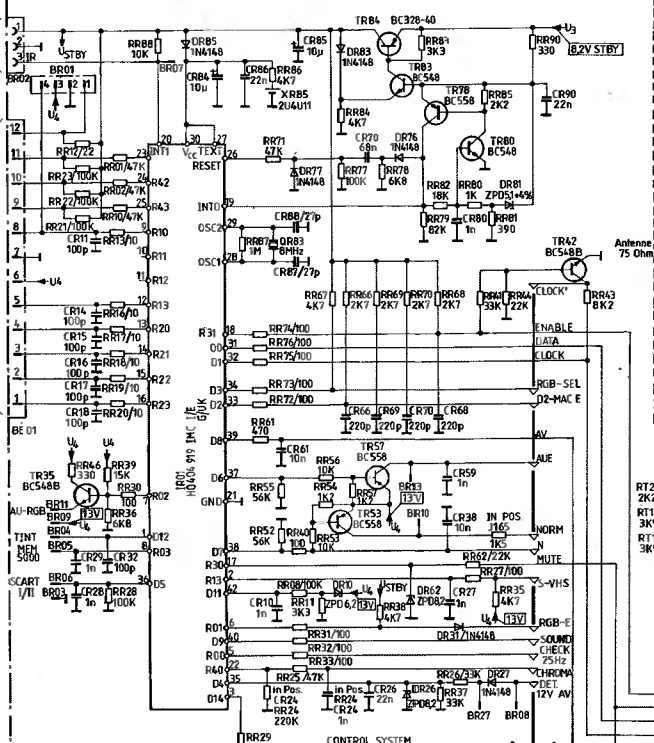


CONTROL SECTION 11A/13

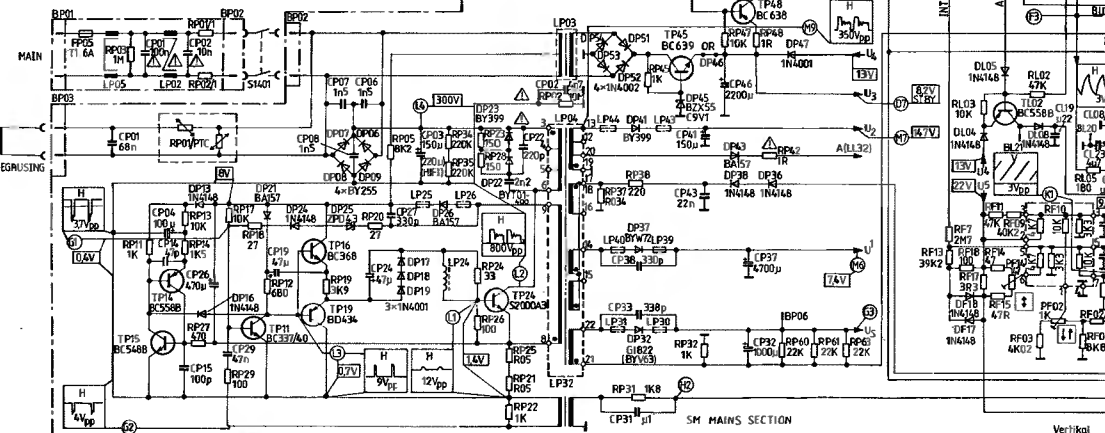


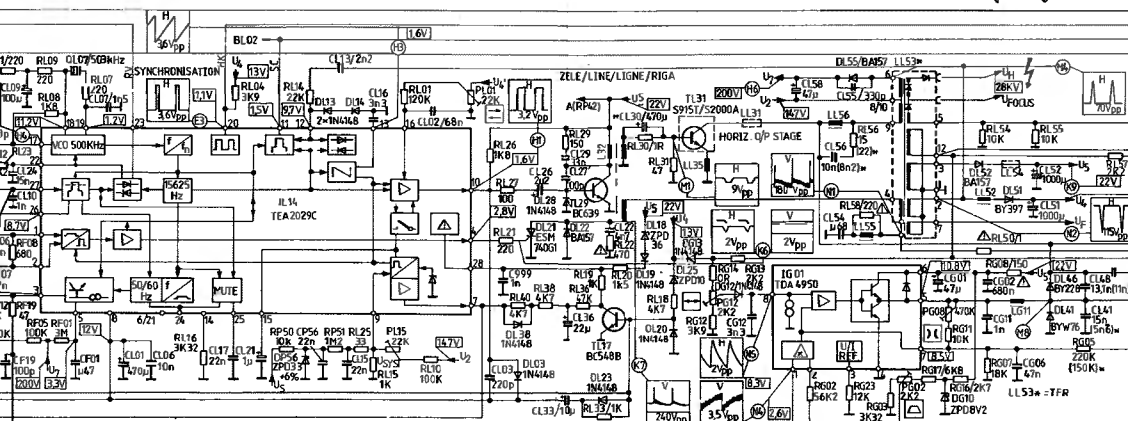
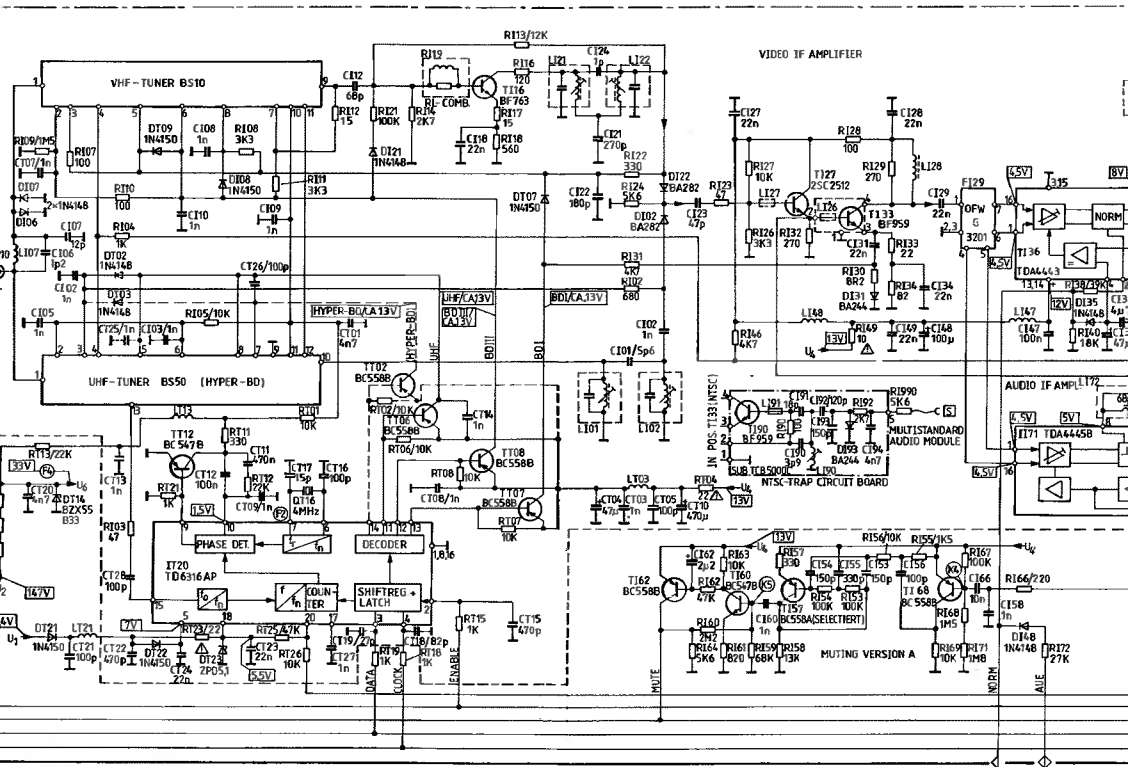
Important! On the primary side of the line section measured voltages and oscillograms against primary line section ground

IR-PREAMPLIFIER



MAINS INTERFERENCE MODULE

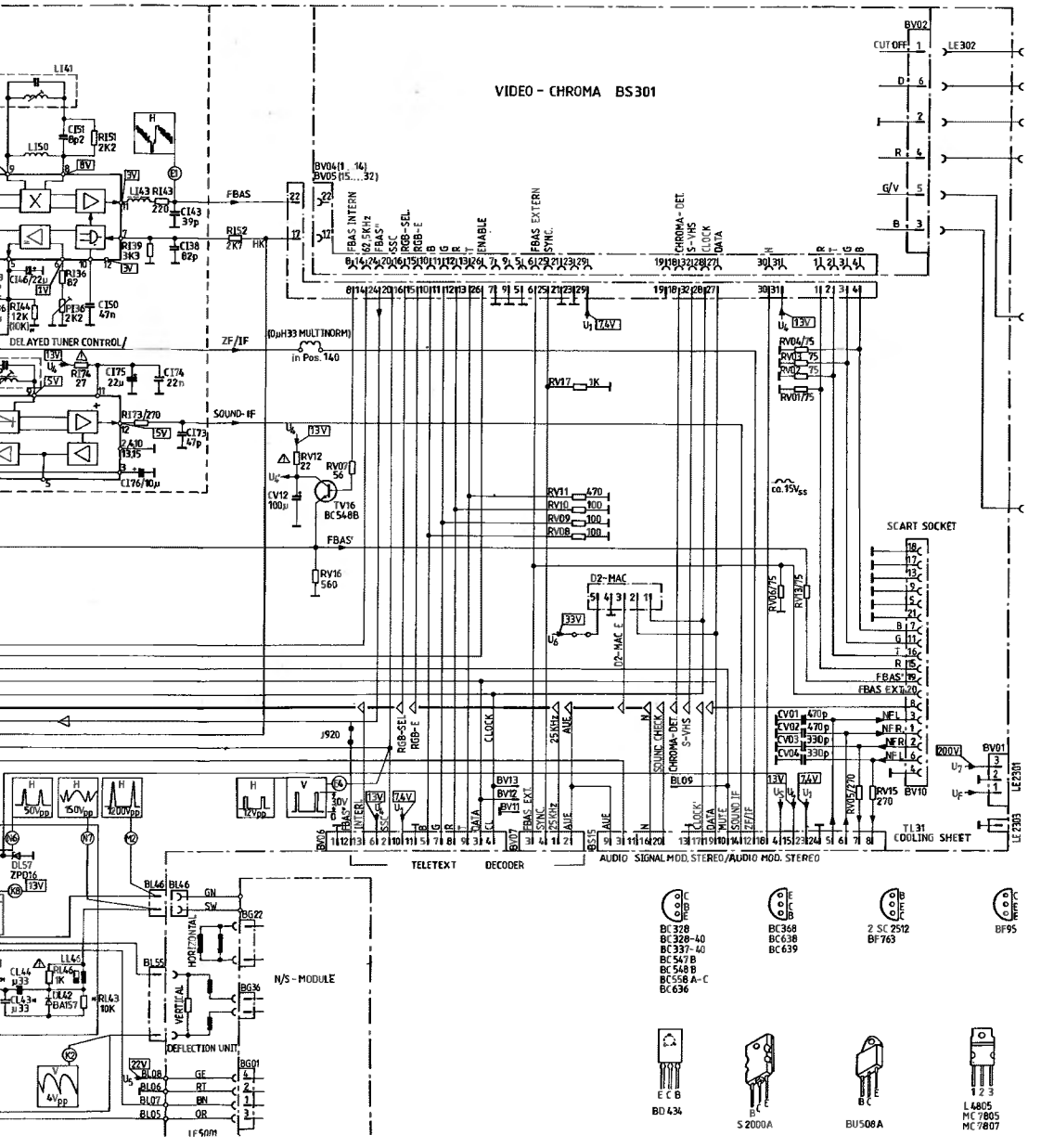




PROTECTIVE CIRCUIT

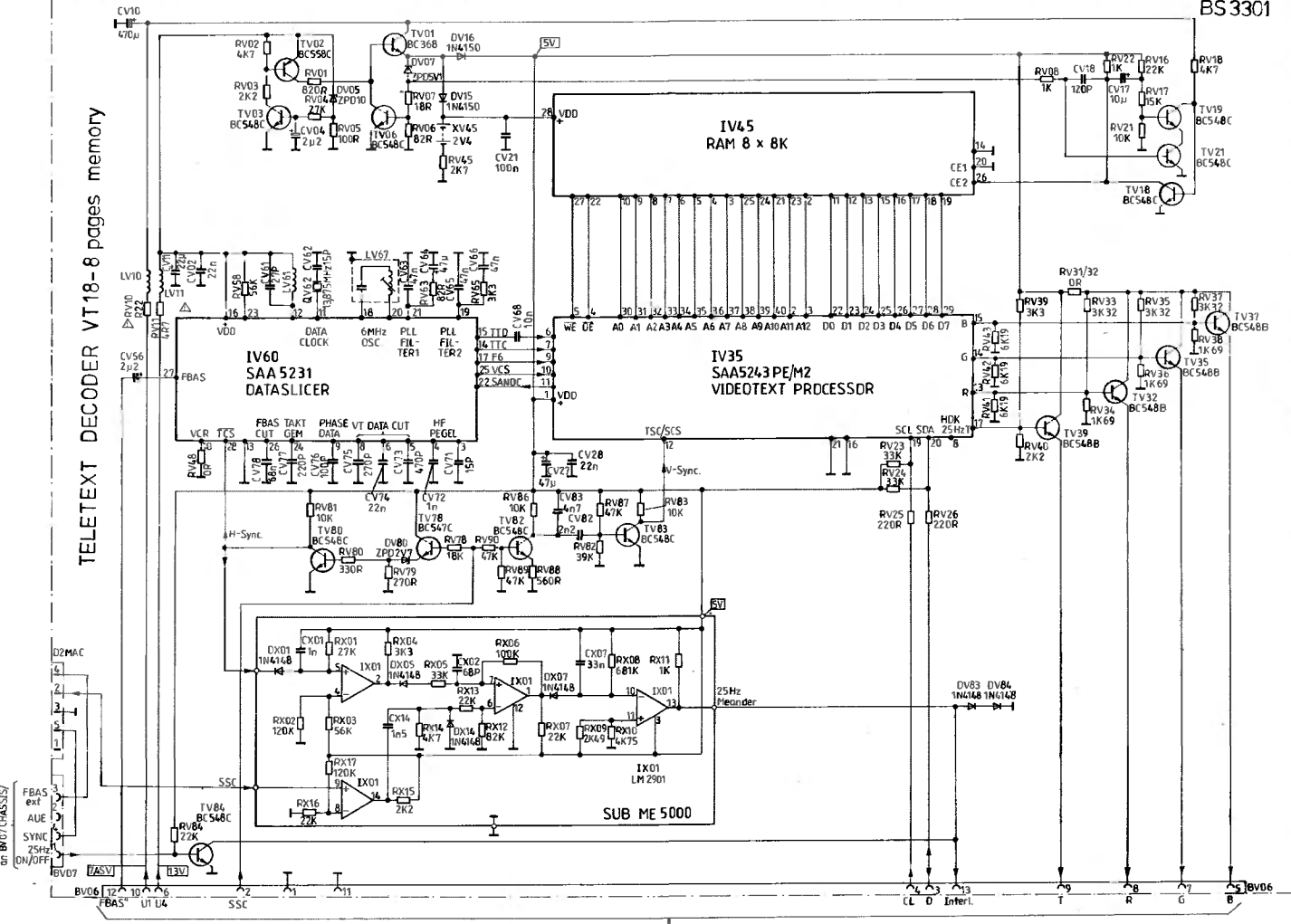
E/W Pincushion corr.

VIDEO - CHROMA BS301

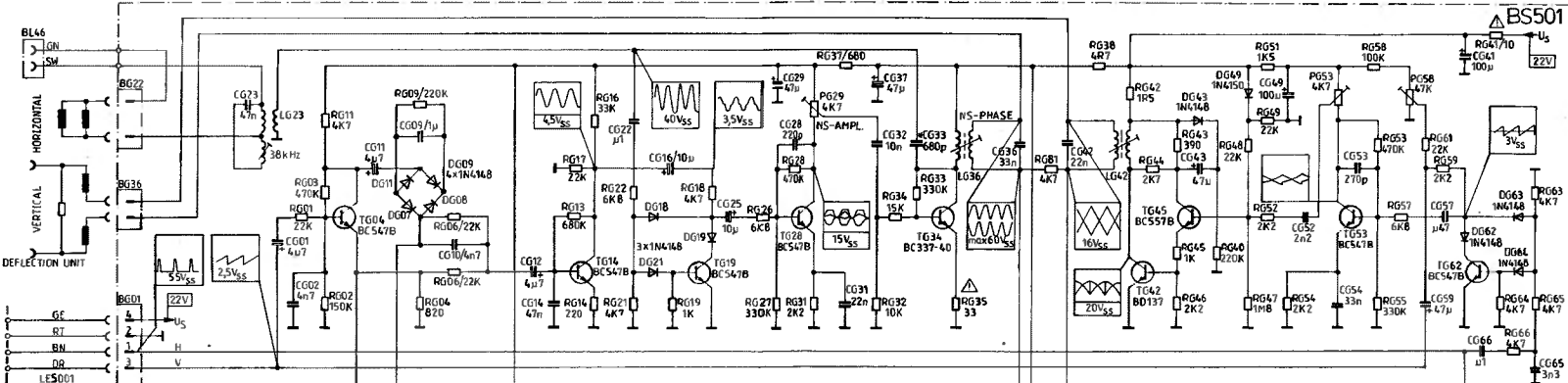


- BC 320
- BC 328-40
- BC 337-40
- BC 547 B
- BC 548 B
- BC 558 A-C
- BC 636
- BC 368
- BC 638
- BC 639
- 2 SC 2512
- BF 763
- BF 95
- BD 434
- S 2000A
- BU 508A
- L 4805
- MC 7805
- MC 7807

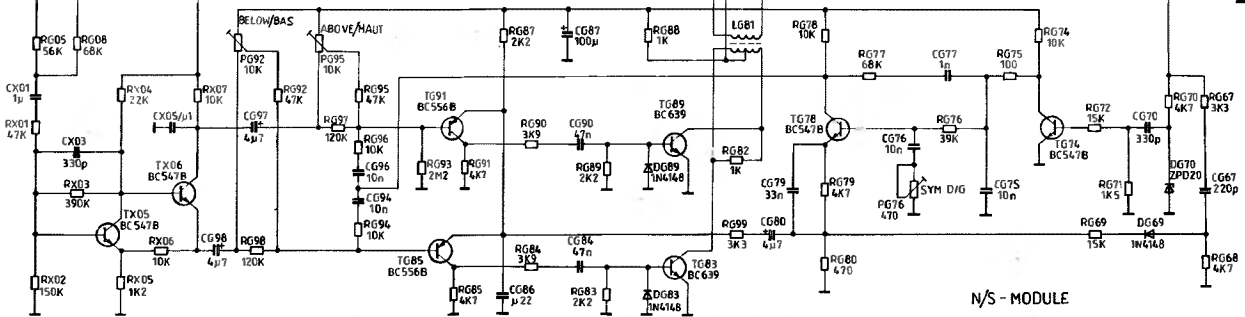
TELETEXT DECODER VT18-8 pages memory



**NORTH SOUTH
MODULE 5004/5010**



NOT PRESENT FOR NS 5010



N/S - MODULE

